



# ADX Firebase DUO 24 Gaming Chair

INSTRUCTION MANUAL

ADXDUO24



# Safety Warnings

---

Read all the instructions carefully before using the unit and keep them for future reference. Retain the manual. If you pass the unit onto a third party, make sure to include this safety and the instruction manual.

## **Caution!**

- After unpacking, make sure the product is complete and undamaged.
- Keep all packaging material (plastic bags, polystyrene foam) out of reach of children.
- Use the product on a flat surface.
- Do not use the product in case of obvious damage.

## **Warnings!**

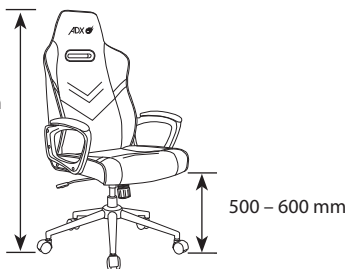
- Only use this product when fully assembled.
- Assembly only by adults.
- Do not overload your chair.
- Incorrect assembly can result in severe personal injury and property damage.
- Do not tilt the chair or lean over the sides – always ensure all casters are firmly placed on a level surface.
- Children should not play with the chair.
- Do not sit on the armrests.
- Do not lean over the armrests. This could cause the product to become unbalanced and result in injury.
- Always use the chair on a flat, stable surface to prevent injury.
- Do not use on slippery floor.
- Do not stand on the chair.
- If the damaged product is irreparable please dispose of the product. Using a damaged product may lead to personal injury.
- This product is intended for indoor household use.
- Do not try to replace or repair the gas lift.
- Do not put your fingers into the gaps of revolving parts.
- Fastening parts and wearing parts should regularly be checked for tightness and abrasion.
- To clean the unit, wipe the surface with a slightly moist, lint-free cloth.
- Do not use any cleaning fluids containing alcohol, ammonia or abrasives.
- Keep the original packaging for any future transporting requirements.
- Instruction manual needs to be kept for further inquiries and references.
- Refer to the instruction manual for safe assembling.
- Danger might occur due to wrong assembling.
- Do not leave your child unsupervised.

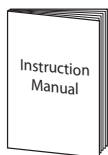
**CUSTOMER HELPLINE (UK Customers Only)**

**0344 561 1234**



1160 – 1260 mm





**A** × 5

**B** × 5

**C** × 1

**D** × 1

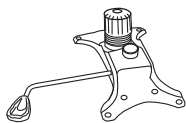


**E** × 1

**F** × 1

**G** × 1

**H** × 1



**I** × 1

**J** × 10

**K** × 8

**L** × 4

**M** × 1



Ø6 × 12 mm

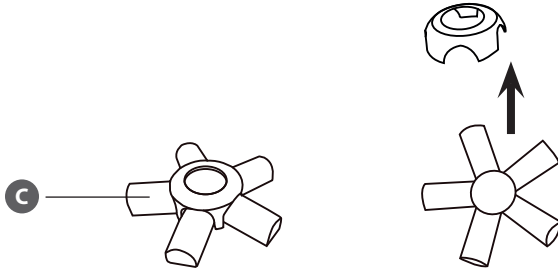
Ø6 × 25 mm

Ø6 × 19 mm

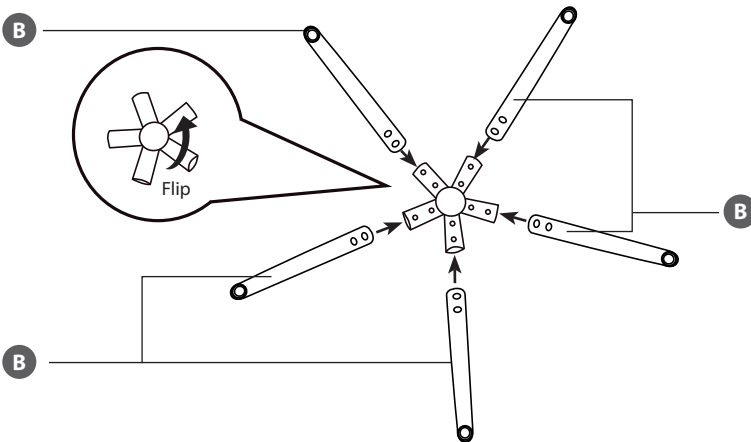
**N** × 8



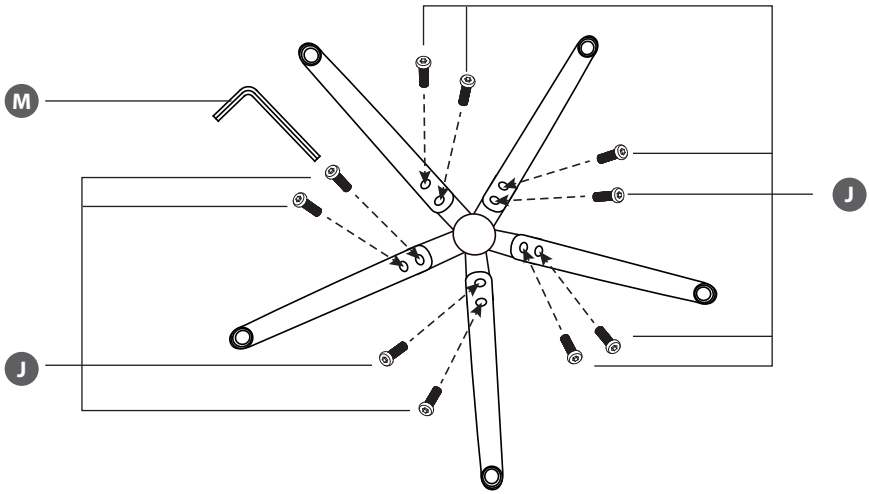
1



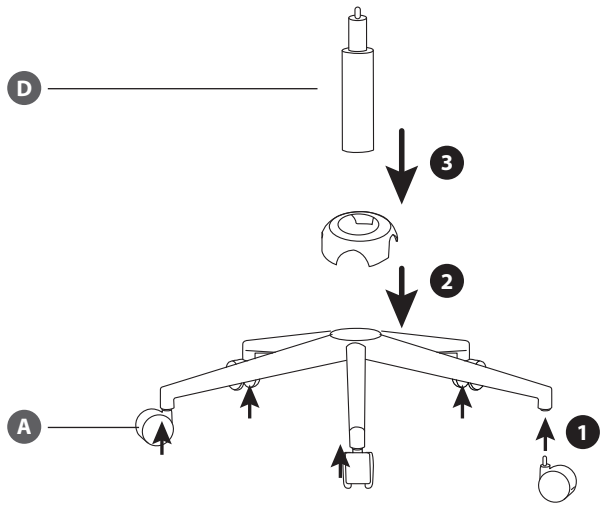
2



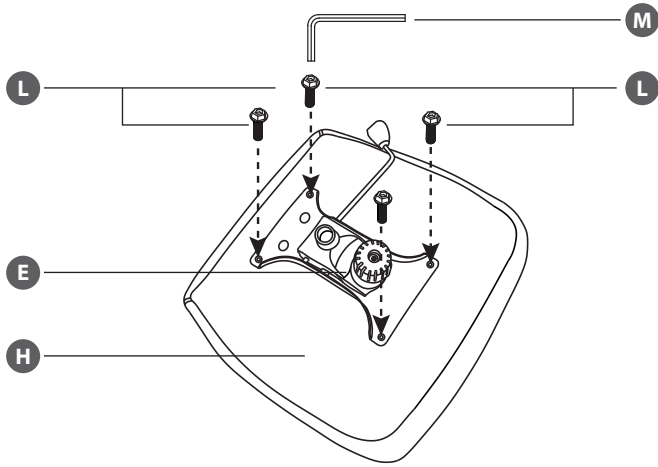
3



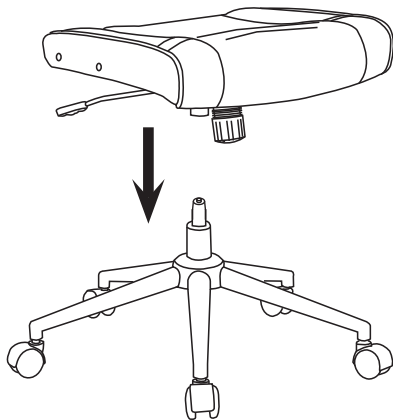
4



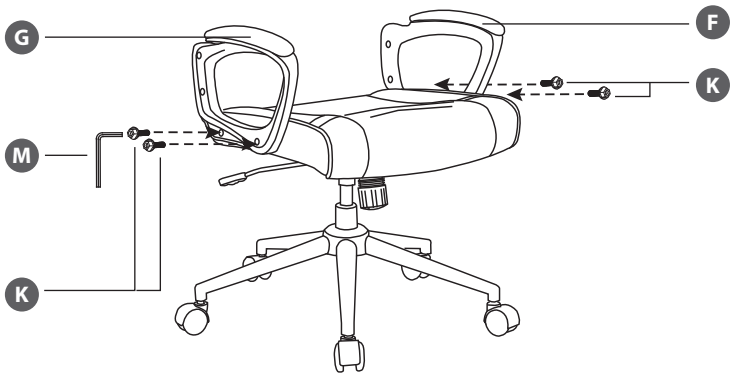
5



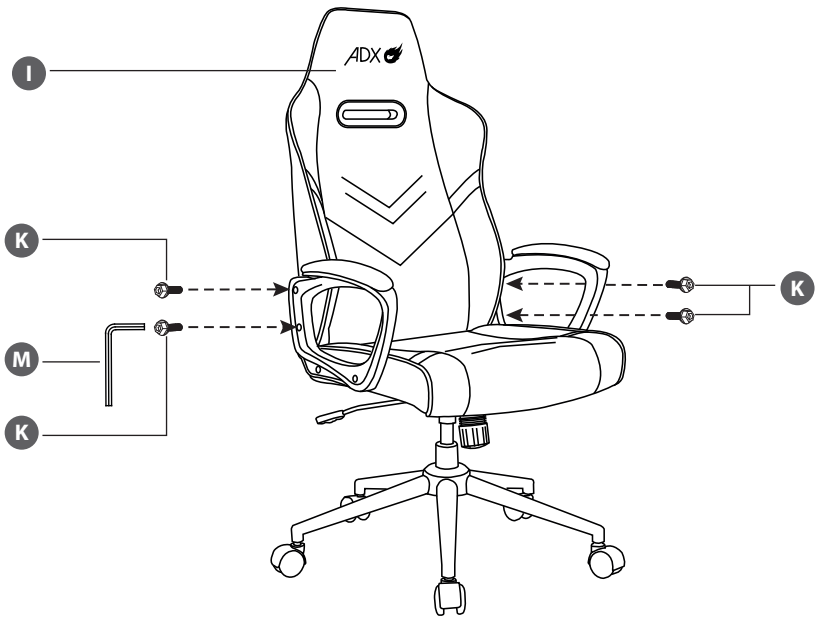
6



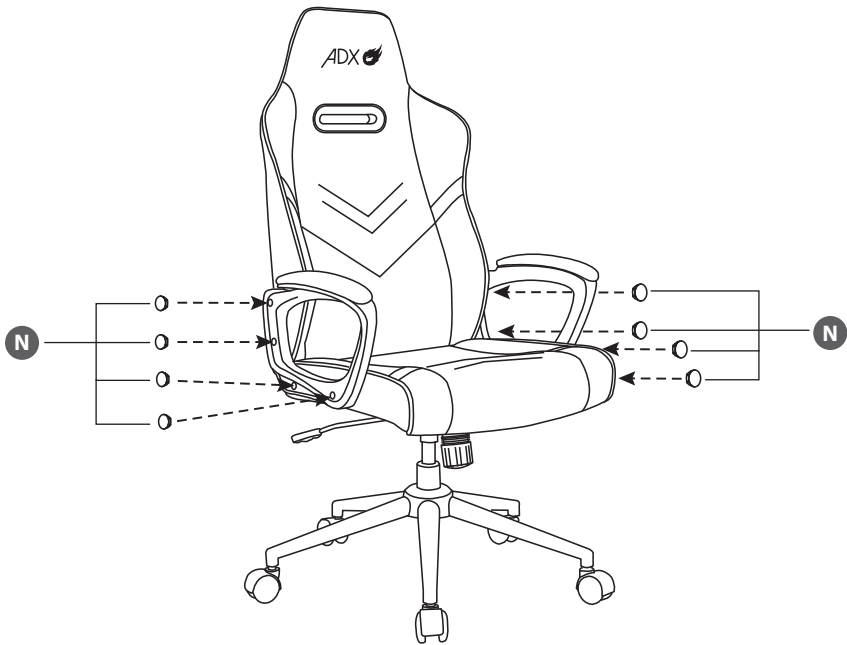
7



8

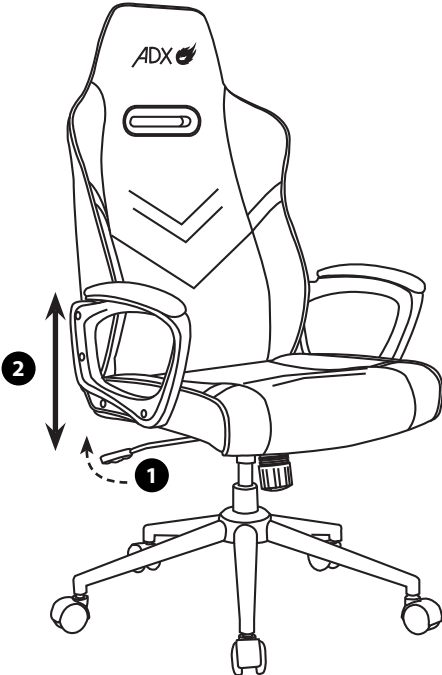






# Seat Height Adjustments

---





**Currys.co.uk**

**All the support you need.**

Whether it's a tech emergency or  
you need plain good advice, we're  
always on hand to help.

UK: 0344 561 1234

IRE: 0818 810575

**Partmaster**  
\_\_\_\_\_.co.uk

Visit [Partmaster.co.uk](http://Partmaster.co.uk) today for the easiest way to buy electrical spares and accessories.  
With over 1 million spares and accessories available we can deliver direct to your door  
the very next day. Visit [www.partmaster.co.uk](http://www.partmaster.co.uk) or call **0344 800 3456** (UK customers only).  
Calls charged at National Rate.

Currys Limited (co. no. 504877)  
1 Portal Way, London, W3 6RS, UK

**EU Representative**

Currys Ireland Limited (259460)  
3rd Floor Office Suite  
Omni Park SC, Santry, Dublin 9, Republic of Ireland